
BuzziShade 120V

Product Specification Sheet

This document contains technical information about the BuzziShade pendant and standing



www.buzzi.space













The BuzziShade combines lit surroundings with acoustic performance.

The design prevents eavesdroppers from hearing your private conversations, and reduces external noise levels to a minimum. The BuzziShade is extremely versatile. The perfect addition to any office, waiting room or restaurant and is ideal for large-scale events. Be creative in color by adding a layer of fabric to the BuzziFelt shades. The BuzziShade is the culmination of an artistic collaboration between BuzziSpace and the four young Belgian furniture designers of Stal Collectief.

Designed by Stal Collectief

General

-  Pendant | Standing
-  BuzziFelt cover
-  Powder coated metal frame & metal ceiling canopy
-  Fabric power cord
-  Metal cable set
-  120V 60Hz
-  E26 fitting
-  Max. 100W incandescent | Max. 20W LED
-  Dry usage
-  Assembled

Certifications

BuzziShade Pendant: cULus Listed - E475254
BuzziShade Standing: Not cULus listed

Acoustics



Absorption

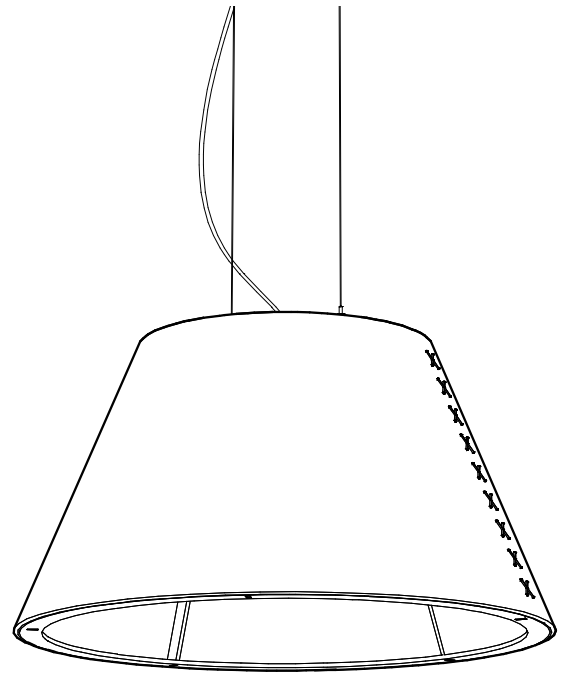
Content

Configurations	3
Technical components	4
Fabrics	6
Dimensions	8
Acoustics	11

Configurations

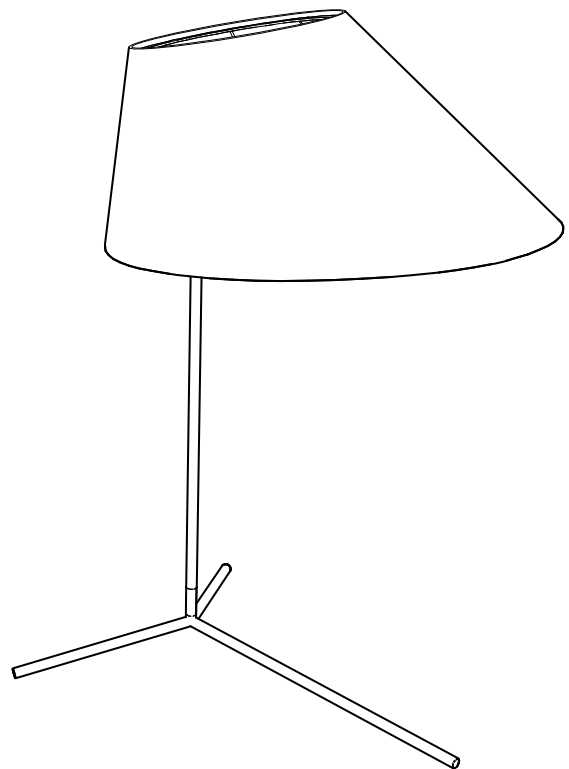
BuzziShade Pendant

- ◆ Medium | Large
 - BuzziFelt cover with lace
 - Metal frame in black, white, aluminium or fluorescent orange
- 🌲 Black metal ceiling canopy
 - Metal cable set in silver or black
 - Fabric power cord in black or red
- ✂ Height: 16.54" (Medium) or 24.41" (Large)
 - Diameter: Ø 15.75" - Ø 29.13" (Medium)
 - Ø 23.23" - Ø 44.09" (Large)
- ⚖ Medium: 8.82 lbs
 - Large: 17.64 lbs
- ⋮ Lace: Black | White | Fluorescent orange
 - Optional extra layer Fabric | Terra | Hero
 - Cable set: 78.74" | 196.85", Silver | Black
- ⚠ If installing on suspended ceiling, verify load capacity prior to installation.



BuzziShade Standing

- 🌲 BuzziFelt cover with lace
 - Metal frame in black, white or fluorescent orange
 - Fabric power cord in black or red
 - Black footswitch
- ✂ Height: 87.40"
 - Diameter: Ø 27.17" - Ø 56.69"
- ⚖ 39.68 lbs
- ⋮ Lace: Black | White | Fluorescent orange



Technical components

BuzziShade pendant

Ceiling canopy

Metal ceiling canopy in black (RAL 9005)
or white (RAL 9010)
Including mounting hardware suitable for a 4" outlet box.
Height: 0.79"
Diameter: 6.10"



Frame

Metal frame available in following colors:
Powder coated white | RAL 9010
Powder coated black | RAL 9005
Fluorescent orange | RAL 2005
Aluminium | not powder coated



Fitting | Power cord

Black bakelite fitting E26
Fabric power cord (2x 18AWG | SVT)

Color frame	Color fabric power cord	Color ceiling canopy
Black	Black	Black
White	Red	White
Fluorescent orange	Black	Black
Aluminium	Black	Black



BuzziShade standing

Frame

Metal frame available in following colors:

Powder coated white | RAL 9010

Powder coated black | RAL 9005

Fluorescent orange | RAL 2005



Fitting | Power cord

Black bakelite fitting E26

Fabric power cord (2x 18AWG | SVT)

Color frame	Color fabric power cord
Black	Black
White	Red
Fluorescent orange	Black

Power cord has a length of 98.43" finished with a plug and footswitch.

Powerswitch

Black footswitch

Fabrics

Felt



Composition 100% Recycled P.E.T. Felt, latex backing
Weight 1.000 g/m² | 29.49 oz/yd²
Abrasion resistance >7.000 Martindale
Flammability EU: EN 13501.1 + A1/2009 Class B-s1,d0
USA: ASTM E84 Class A certified
Fastness to light USA 5



Fabric



Category A
Composition 70% Recycled Wool, 25% Recycled Polyacryl,
5% Recycled Other Fabrics
Weight 405 g/m² | 11.94 oz/yd²
Abrasion resistance 40.000 Martindale, 50,000 Wyzenbeek
Flammability EU: EN 1021.1/2006 | BS EN 1021.1/2006 (cigarette).
EN 1021.2/2006 | BS EN 1021.2/2006 (match)
USA: CAL TB 117 | ASTM E84 CLASS A
Fastness to light EU 4 | USA 4
Fastness to rubbing EU: Wet 3-4 | Dry 4-5
Fastness to crocking USA: Wet 5 | Dry 5



Terra

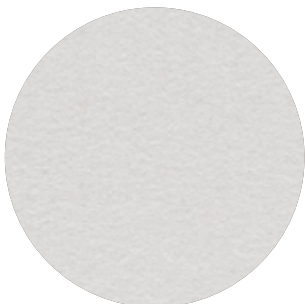


Category B
Composition 100% Pure New Wool
Weight 370 g/m² | 10.91 oz/yd²
Abrasion resistance 40.000 Martindale, 25,000 Wyzenbeek
Flammability EU: BS5852 CRIB 5 | BS5867 PART 2 : 2008 : TYPE B
EN 1021.2/2006 | USA: CAL TB 117
Fastness to light EU 5 | USA 5
Fastness to rubbing EU: Wet 4 | Dry 4
Fastness to crocking USA: Wet 4 | Dry 4



Hero

kvadrat



Category C
Composition 96% new wool, 4% nylon
Weight 580 g/lin.m
Abrasion resistance 45.000 Martindale rubs, EN ISO 12947
Flammability EN 1021-1/2 | DIN 4102 B2 | NF D 60 013
UNI 9175 11M | US Cal. Bull. 117-2013 | NFPA 260
IMO A.652 (16)
Fastness to light Note 5-6, ISO 105-B02
Fastness to rubbing (ISO) dry 4-5, wet 4-5
Pilling Note 3-4, EN ISO 12945



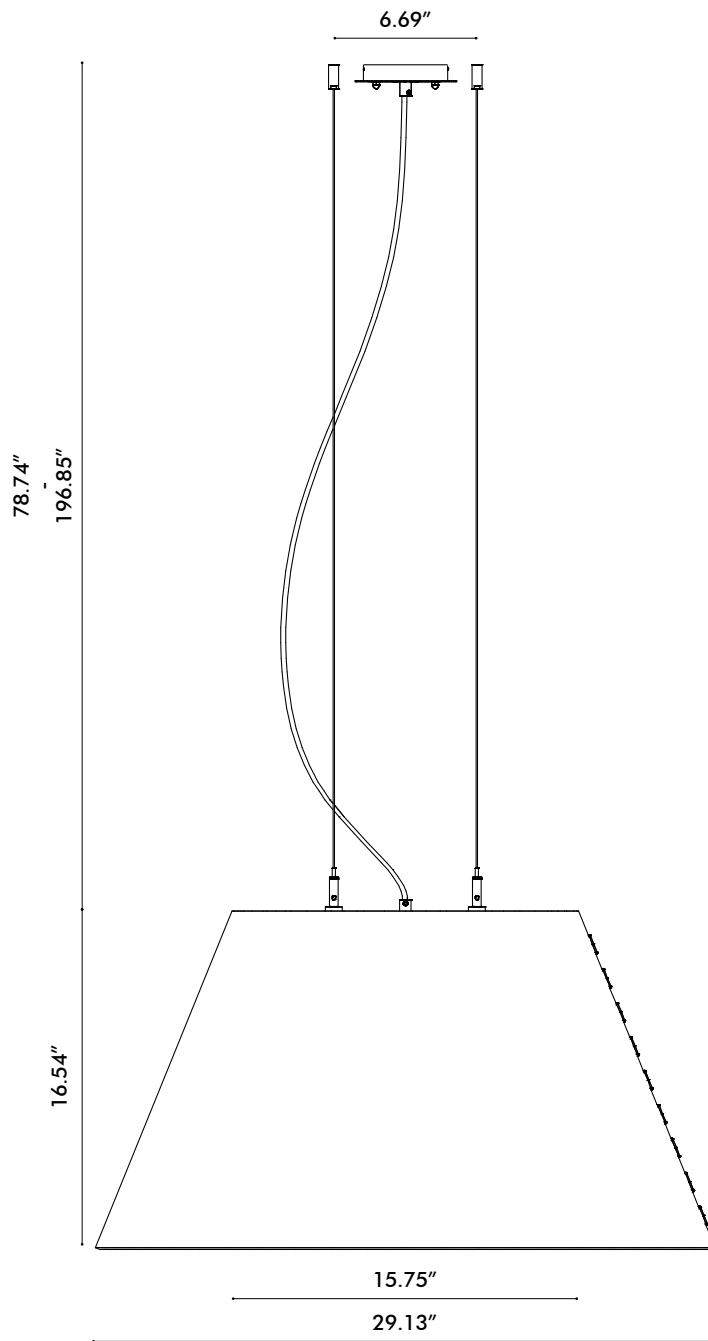
Lace

Lace black | white | fluorescent orange

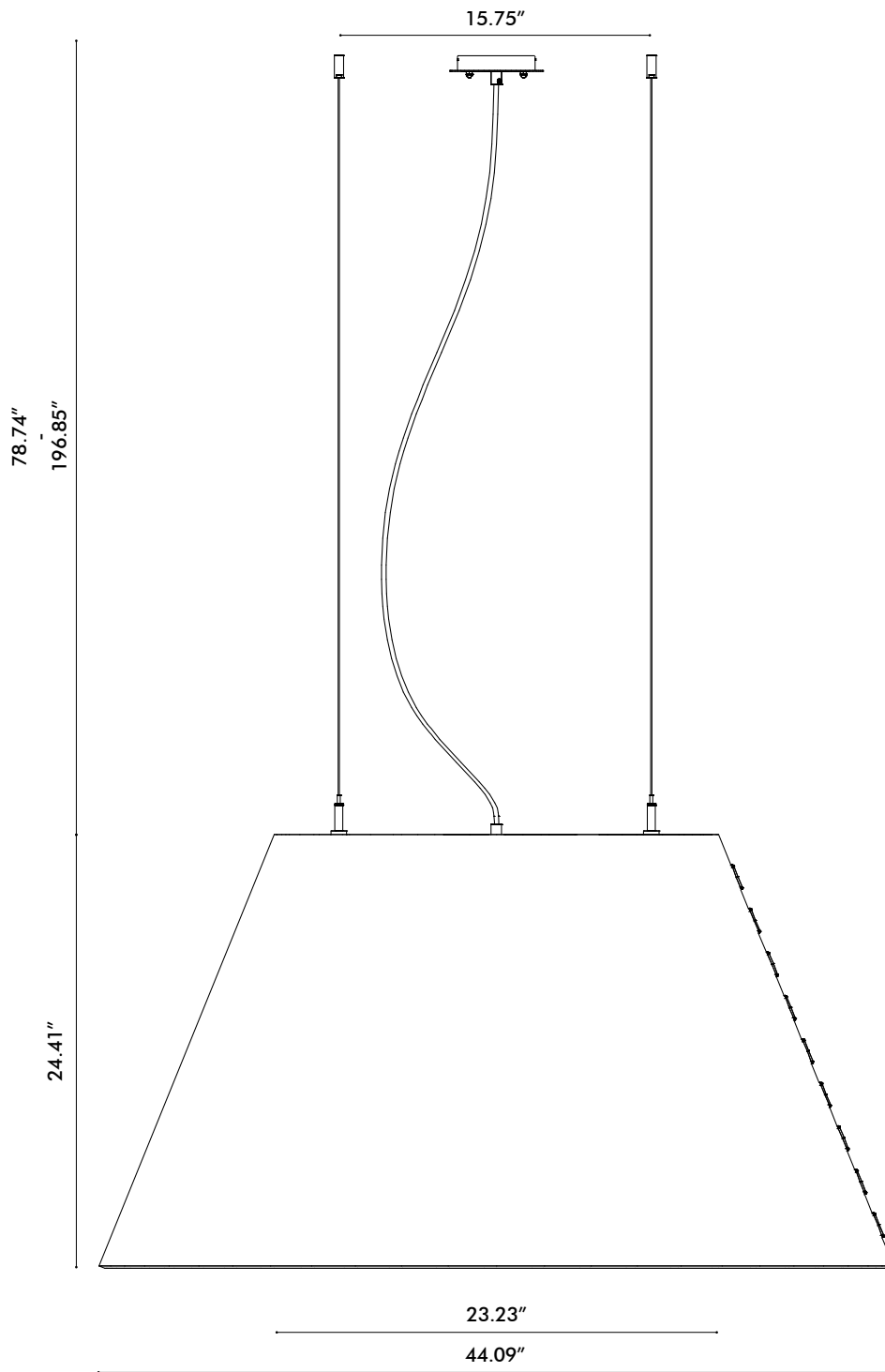


Dimensions

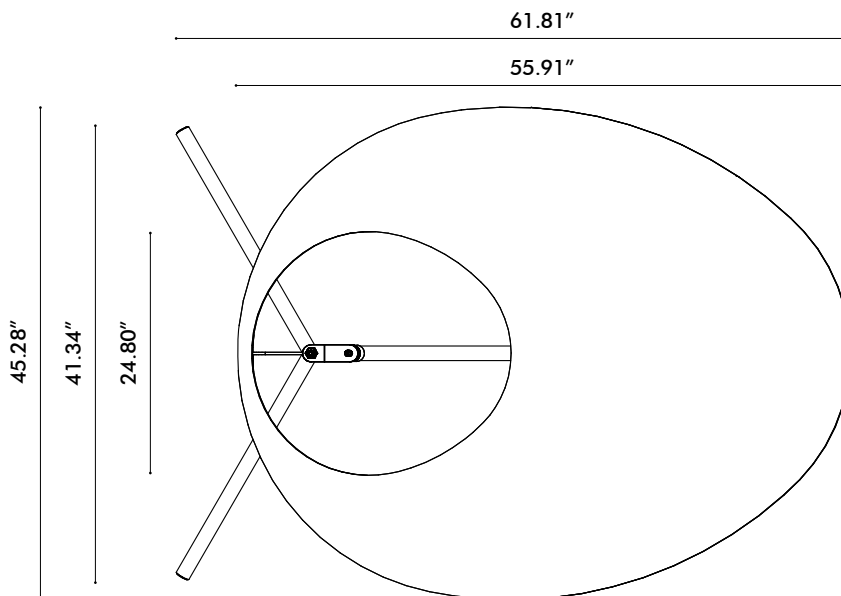
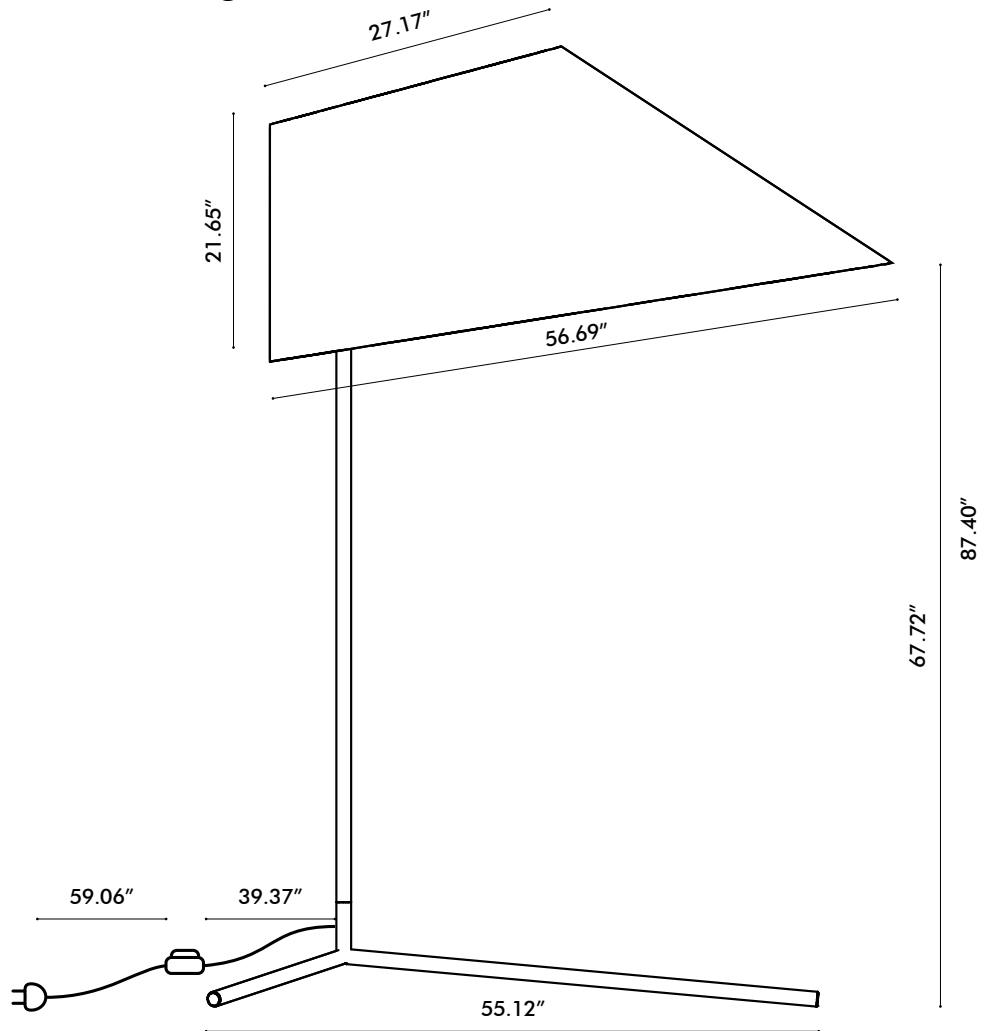
BuzziShade Pendant Medium



BuzziShade Pendant Large



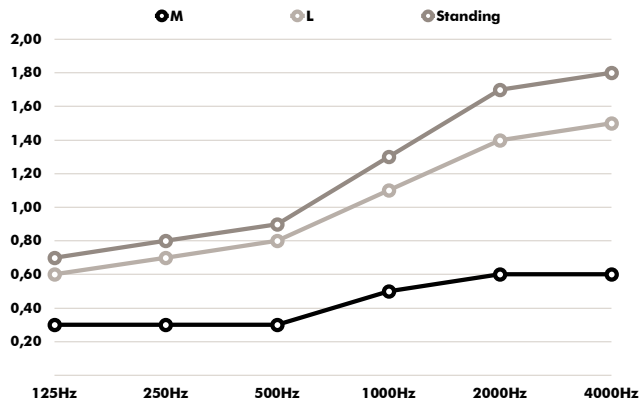
BuzziShade Standing



Acoustics

BuzziShade

Equivalent sound absorption area in m² per object



Hz	Shade M Aeq/m ²	Shade L Aeq/m ²	Shade Standing Aeq/m ²
125	0.3	0.6	0.7
250	0.3	0.7	0.8
500	0.3	0.8	0.9
1000	0.5	1.1	1.3
2000	0.6	1.4	1.7
4000	0.6	1.5	1.8