



# Radon

DESIGNED BY HANS SANDGREN JAKOBSEN

LIGHT<sup>®</sup>  
YEARS



The fundamental geometric forms - the circle and the triangle - are key elements in the design of the Radon floor light. The legs forms a universal triangle that ensures the lamp's stability and balance. The shade is multi-directional and furnished with an asymmetrical reflector, which ensures an efficient distribution of the light. The switch is elegantly placed at the semi-spherical lamp shade, while the cord leads discreetly out of the back leg to help preserve the clean lines. The Radon floor light is included in the Danish Museum of Decorative Art's great collection of classics.

## FACTS

### SURFACE

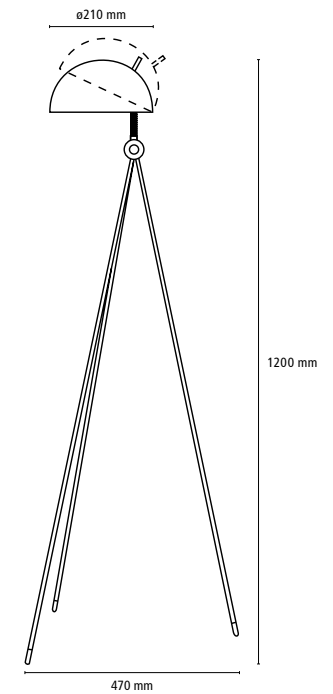
Black: Matt black lacquer, matt chrome

Nigra: Matt black lacquer

### MATERIAL

Shade: Sandblasted aluminium laquered

Base: Turned brass and steel bars/round steel with matt chrome coating/black lacquer



PRODUCT NAME	PRODUCT CODE	DESCRIPTION	LIGHT SOURCE
RADON Black Floor	51001608	Matt chrome, black lacquer	E14 max 25W
RADON Nigra Floor	51182308	Matt black lacquer	E14 max 25W