

# HONEYCOMB

design Habits Studio, 2011



Type: Suspension

Light source: D70L/1N1 LED 25W<sup>(1)</sup> 3000K 1363lm EEL: A  
 D70L/2N1 LED 50W<sup>(1)</sup> 3000K 2726lm EEL: A

Product use: Indoor

Materials: ABS

Colors: Glossy white, canopy white

Description: Like the cells of a beehive, the hexagonal modules of Honeycomb are joined freely into a suspension lamp with a captivating organic symmetry. The hexagons, connected by clips, give life to a self-supporting structure capable of housing energy-saving LED and halogen light sources.onfigurations.

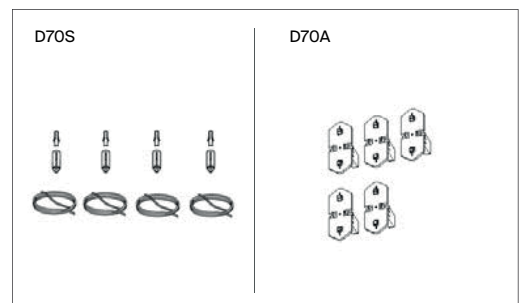
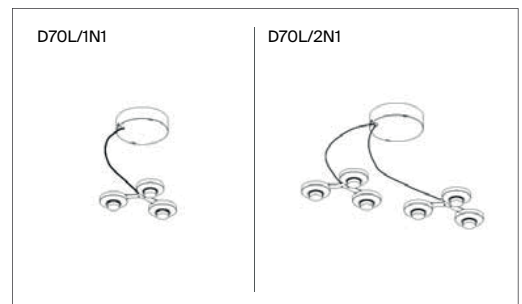
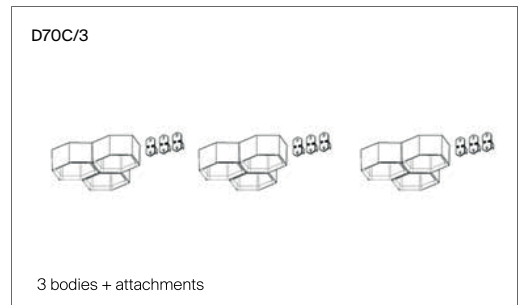
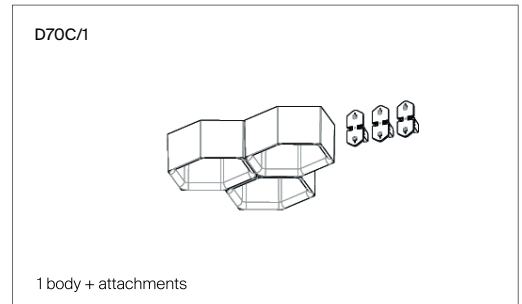
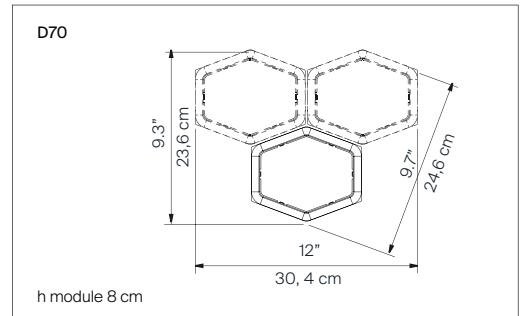
Insulation class: (D70K/3, D70L/1N1) (D70K/4, D70L/2N1)

Reference code: Complete version  
 D70K/3 1D701K300002 3bodies+1LED module\*+susp.kit  
 D70K/4 1D701K400002 4bodies+2LED module\*+susp.kit

Structure  
 D70C/1 1D7001000002 glossy white  
 D70C/3 1D7003000002 glossy white

Optics  
 D70L/1N1 1D701L100000 satined aluminium  
 D70L/2N1 1D700L200000 satined aluminium

Accessories  
 D70S 1D7002000002 white suspension kit  
 4 steel cables  
 D70A 1D7005000002 kit 5 white hooks



<sup>(1)</sup> The LED lamps cannot be changed in the luminaire  
 Power consumption by device

